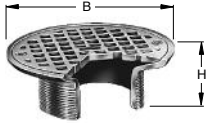


NOTE 1: Sediment Bucket -B not provided for a Hinged Grate (-H)

NOTE 2: Sediment Bucket -B not provided for a Ball Float (-BFV) or a Flapper Type (-V)

OPTIONAL STRAINER HEADS

ROUND STRAINER



MATERIALS:
 Chrome Plated -CP
 Polished Bronze -PB
 Nickel Bronze -NB
 Stainless Steel
 Strainers -SS [Available in 05(125) & 06(150) sizes only]

VARIATIONS:
 *Hinged Grate (Specify Suffix -AH) (NOTE 1)
 Sediment Bucket -B
 Vandal Proof Screws -U

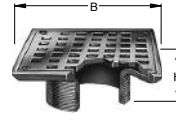
B DIA	05 (125)	06 (150)	07 (180)	08 (205)	09 (230)	10 (255)
H	2 (51)	2 (51)	2 1/4 (57)	2 1/2 (64)	2 1/2 (64)	2 3/4 (70)
X MIN	1 1/4 (32)	1 1/4 (32)	1 1/4 (32)	1 1/2 (38)	1 1/2 (38)	1 1/2 (38)
X MAX	2 1/4 (57)	2 1/4 (57)	2 1/4 (57)	2 1/2 (64)	2 1/2 (64)	2 3/4 (70)

LIGHT DUTY

SUFFIX -A

Specify Type, Size & Finish eg: A05NB
 *Not available for 05" (125) size

FLAPPER TYPE BACKWATER VALVE



FUNCTION: Provides backwater protection at point where protection is needed.

MATERIALS:
 Chrome Plated -CP
 Polished Bronze -PB
 Nickel Bronze -NB

VARIATIONS:
 *Hinged Grate (Specify Suffix -AH)
 Vandal Proof Screws -U

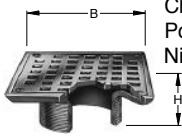
B SQ	05 (125)	06 (150)	07 (180)	08 (205)
H	2 (51)	2 (51)	2 1/4 (57)	2 1/2 (64)
X MIN	1 1/4 (32)	1 1/4 (32)	1 1/4 (32)	1 1/2 (38)
X MAX	2 1/4 (57)	2 1/4 (57)	2 1/4 (57)	2 1/2 (64)

LIGHT DUTY

SUFFIX -AV

Specify Type, Size & Finish eg: AV05NB
 *Not available for 05" (125) size

SQUARE STRAINER



MATERIALS:
 Chrome Plated -CP
 Polished Bronze -PB
 Nickel Bronze -NB

VARIATIONS:
 Flapper Type Backwater Valve (Specify Suffix -BV) 05 (125), 06 (150), 07 (180) or 08" (205) sizes only (NOTE 2)
 *Hinged Grate (Specify Suffix -BH) (NOTE 1)
 Sediment Bucket -B
 Vandal Proof Screws -U

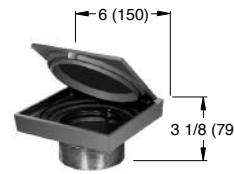
B SQ	05 (125)	06 (150)	07 (180)	08 (205)	09 (230)	10 (255)
H	2 (51)	2 (51)	2 1/4 (57)	2 1/2 (64)	2 1/4 (57)	2 1/4 (57)
X MIN	1 1/4 (32)	1 1/4 (32)	1 1/4 (32)	1 1/2 (38)	1 1/2 (38)	1 1/2 (38)
X MAX	2 1/4 (57)	2 1/4 (57)	2 1/4 (57)	2 1/2 (64)	2 1/4 (57)	2 3/8 (60)

LIGHT DUTY

SUFFIX -B

Specify Type, Size & Finish eg: B05NB
 *Not available for 05" (125) size

STRAINER HEAD w/SQUARE HINGED COVER



MATERIALS:
 Chrome Plated -CP
 Polished Bronze -PB
 Nickel Bronze -NB

VARIATIONS:
 Gasketed Water Tight Cover -GC
 Secured Cover -SC
 Secondary Strainer Grate-SG

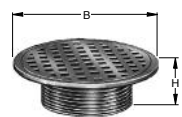
LIGHT DUTY

SUFFIX -BS

Specify Type, Size & Finish eg: BSNB

REINFORCED ROUND STRAINER

FUNCTION: Used in finished floors where light wheeled loads are anticipated.



MATERIALS:
 Chrome Plated -CP
 Polished Bronze -PB
 Nickel Bronze -NB

VARIATIONS:
 Flapper Type Backwater Valve (Specify Suffix -CV) (NOTE 2)
 Sediment Bucket -B
 Vandal Proof Screws -U

B DIA	05 (125)	06 (150)	08 (205)	10 (255)
H	2 (51)	2 (51)	2 1/2 (64)	2 3/4 (70)
MIN	1 1/4 (32)	1 1/4 (32)	1 1/2 (38)	1 7/8 (48)
MAX	2 1/4 (57)	2 1/4 (57)	2 1/2 (64)	2 3/4 (70)

LIGHT DUTY

SUFFIX -C

Specify Type, Size & Finish eg: C06NB

REINFORCED TRACTOR STRAINER

FUNCTION: Used in finished floors where light weight wheeled loads are anticipated and loose set non-tilt tractor grate is desired.



MATERIALS:
 Cast Iron -CI
 Chrome Plated -CP
 Polished Bronze -PB
 Nickel Bronze -NB

VARIATIONS:
 Flapper Type Backwater Valve (Specify Suffix -DV or -EV) (NOTE 2)
 Sediment Bucket -B
 Vandal Proof Screws -U

SUFFIX	B DIA	H	X	
			MIN	MAX
-D	07 (180)	3 1/4 (83)	2 5/8 (67)	3 1/2 (89)
-E	09 (230)	3 1/2 (89)	2 3/4 (70)	3 1/2 (89)

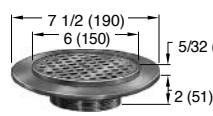
LIGHT DUTY

SUFFIX -D-E

Specify Type, Size & Finish eg: D07PB
 E09PB

TILE FLANGE

FUNCTION: Provides integral flange set 5/32"(4) below rim to receive floor covering. Flange may have option of tapped holes for securing pan and gasket.



MATERIALS:
 Chrome Plated -CP
 Polished Bronze -PB
 Nickel Bronze -NB

VARIATIONS:
 Flapper Type Backwater Valve (Specify Suffix -FV) (NOTE 2)
 Holes in Flange -SH
 Sediment Bucket -B
 Vandal Proof Screws -U

X	
MIN	MAX
1 1/4 (32)	2 1/8 (54)

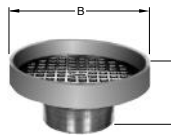
LIGHT DUTY

SUFFIX -F

Specify Type, Size & Finish eg: F06NB

ADJUSTABLE STRAINER HEAD

FUNCTION: Used in a non-traffic area when a funnel type strainer head is required and space does not allow use of the 3500 series funnel. The extended rim allows use as an anti-flood and anti-splash drip pan.



VARIATIONS:
 Flapper Type Backwater Valve (Specify Suffix -F37V or F38V)

MATERIALS:
 Cast Iron -CI
 Chrome Plated -CP
 Galvanized Cast Iron -G
 Polished Bronze -PB
 Nickel Bronze -NB

SUFFIX	-F37	-F38
B DIA	07 (180)	09 (230)
H	3 1/4 (83)	3 1/2 (89)
X MIN	2 5/8 (67)	2 3/4 (70)
X MAX	3 1/2 (89)	3 1/2 (89)

NON-TRAFFIC

SUFFIX -F37-F38

Specify Type, Size & Finish eg: F37NB F38CP

DRAWING NUMBER
PM0457 SH 1 of 2

SIZE
A

SCALE
NONE

DATE:
5-17-85

APPROVED BY:
TD

CHECKED BY:
TD

DRAWN BY:
PJ

FIGURE NUMBER
OPTIONAL STRAINER HEADS

2010 SERIES OPTIONAL STRAINER HEADS

FIGURE NUMBER

REV.	DATE	DESCRIPTION	BY	CKD. BY	FIGURE NUMBER
M	10-8-21	Added NOTE 1 & 2	KK	JM	2010 SERIES OPTIONAL STRAINER HEADS 1 of 2
L	10-26-20	Rev. Finish (Tractor Stainer)	MW	CL	
K	7-29-19	Added Load Rating(s)	MW	JM	

NOTE: Dimensions shown in parentheses are in millimeters.



WARNING: Cancer and Reproductive Harm - www.P65Warnings.ca.gov

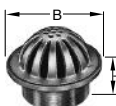
OPTIONAL STRAINER HEADS

LOW DOME STRAINER **SOLID HINGED COVER** **SPANNER WRENCH COVER**

FUNCTION: Used in gutters and recessed areas where excessive debris build-up is expected. Dome insures drainage even when partly covered.

MATERIALS:
 Chrome Plated -CP
 Polished Bronze -PB
 Nickel Bronze -NB

VARIATIONS:
 Flapper Type Backwater Valve (Specify Suffix -GV)
 Sediment Bucket -B
 Vandal Proof Screws -U



B DIA	05 (125)	06 (150)	08 (205)
H	2 (51)	2 (51)	2 1/2 (64)
MIN	1 1/4 (32)	1 1/4 (32)	1 1/2 (38)
MAX	2 1/4 (67)	2 1/4 (67)	2 1/2 (64)

SUFFIX -G Specify Type, Size & Finish eg: G08PB

FUNCTION: Used in areas where intermittent drain use is required. Solid cover prevents intrusion of chips, saw-dust, etc., which are swept up before cover is opened for washdown. The secondary strainer prevents debris from entering the waste line.

MATERIALS:
 Chrome Plated -CP
 Polished Bronze -PB
 Nickel Bronze -NB

VARIATIONS:
 Flapper Type Backwater Valve (Specify Suffix -GV)
 Vandal Proof Screws -U



B DIA	05 (125)	06 (150)	07 (180)	08 (205)
H	2 (51)	2 (51)	2 1/4 (67)	2 1/2 (64)
X MIN	1 1/4 (32)	1 1/4 (32)	1 1/4 (32)	1 1/2 (38)
X MAX	2 1/4 (67)	2 1/4 (67)	2 1/4 (67)	2 1/2 (64)

SUFFIX -H Specify Type, Size & Finish eg: H05CP

FUNCTION: Solid gas tight, vandal proof, threaded cover for areas where intermittent drain use is required.

MATERIALS:
 Chrome Plated -CP
 Polished Bronze -PB
 Nickel Bronze -NB

VARIATIONS:
 Flapper Type Backwater Valve (Specify Suffix -JV)
 Sediment Bucket -B



X	MIN	MAX
	2 (51)	3 (76)

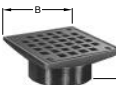
SUFFIX -J Specify Type, Size & Finish eg: J06NB

REINFORCED SQUARE STRAINER **RECTANGULAR STRAINER** **ANGLE STRAINER**

FUNCTION: Used in finished floors where some light wheeled traffic is anticipated.

MATERIALS:
 Chrome Plated -CP
 Polished Bronze -PB
 Nickel Bronze -NB

VARIATIONS:
 Flapper Type Backwater Valve (Specify Suffix -KV)
 Sediment Bucket -B
 Vandal Proof Screws -U



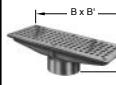
B SQ	05 (125)	06 (150)	07 (180)	08 (205)
H	2 (51)	2 (51)	2 1/4 (67)	2 1/2 (64)
X MIN	1 1/4 (32)	1 1/4 (32)	1 1/4 (32)	1 1/2 (38)
X MAX	2 1/4 (67)	2 1/4 (67)	2 1/4 (67)	2 1/2 (64)

SUFFIX -K Specify Type, Size & Finish eg: K07CP

FUNCTION: Used in finished floors where light wheeled loads and or heavy foot traffic are anticipated.

MATERIALS:
 Chrome Plated -CP
 Polished Bronze -PB
 Nickel Bronze -NB

VARIATIONS:
 Sediment Bucket -B
 Vandal Proof Screws -U



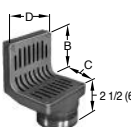
SUFFIX	L	M	N	P	R	T
B x B'	4 1/2(115)x8(205)	4(100)x12(305)	5(125)x9(230)	5(125)x13(330)	6(150)x10(255)	5(125)x17(430)
H	2 1/4 (67)	2 1/2 (64)	2 1/4 (67)	3 (76)	2 1/4 (67)	3 (76)
X MIN	1 3/8 (35)	1 7/8 (48)	1 3/8 (35)	2 1/8 (54)	1 3/8 (35)	2 1/4 (67)
X MAX	2 3/8 (60)	2 3/4 (70)	2 3/8 (60)	3 (76)	2 3/8 (60)	3 1/8 (79)

SUFFIX -L-M-N-P-R-T Specify Type, Size & Finish eg: LNB

FUNCTION: Shower room drain set at wall and floor junction. Vertical grate openings prevent drain stoppage should flat surface become covered.

MATERIALS:
 Chrome Plated -CP
 Polished Bronze -PB
 Nickel Bronze -NB

VARIATIONS:
 Vandal Proof Screws -U



SUFFIX	B	C	D	X
	MIN	MAX		
-V	3 1/2 (89)	3 1/2 (89)	4 1/2 (115)	1 5/8 (41) 2 5/8(67)
-W	6 3/4 (170)	6 3/4 (170)	6 1/2 (165)	1 5/8 (41) 2 5/8(67)

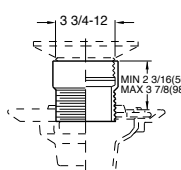
SUFFIX -V-W Specify Type, Size & Finish eg: VPB, WNB

EXTENSION ADAPTOR **OVERFLOW WITH STANDPIPE** **HEAVY DUTY ADJUSTABLE**

FUNCTION: Used when a strainer head must be raised to accommodate deeper floor fill.

REGULARLY FURNISHED:
 Duco Cast Iron -CI

MATERIALS:
 Cast Bronze -CB
 Galvanized Cast Iron -G



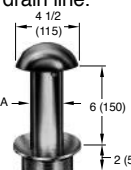
NOTE: Extension can be stacked for increased maximum adjustment.

SUFFIX -X

FUNCTION: Used as overflow drain in decorative pools, fish ponds or similar areas. Dome prevents floating objects from entering drain line.

MATERIALS:
 Chrome Plated -CP
 Nickel Bronze -NB
 Polished Bronze -PB

VARIATIONS:
 Less Dome -LD
 Standpipe Height other than 6" (150) (Specify Height)



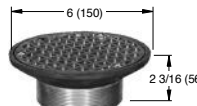
SUFFIX	A	X	
	SIZE	MIN	MAX
-Y	2 (51)	3/4 (19)	2 1/8 (54)
-Z	3 (76)	3/4 (19)	2 1/8 (54)

SUFFIX -Y-Z Specify Type, Size & Finish eg: YCP, ZCP

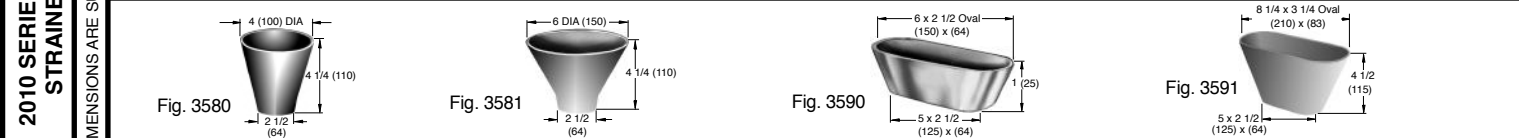
FUNCTION: Used in finished floors where light wheeled loads and or heavy foot traffic are anticipated.

MATERIALS:
 Polished Bronze -PB
 Rough Bronze -RB
 Nickel Bronze -NB

VARIATIONS:
 Flapper Type Backwater Valve (Specify Suffix -69V)
 Sediment Bucket -B
 Vandal Proof Screws -U



SUFFIX -69 eg: A06NB-69



REV.	DATE	DESCRIPTION	BY	CKD. BY	FIGURE NUMBER
K	10-20-17	Rev. Materials Suffix -H, -V-W	TBW	CL	2010 SERIES OPTIONAL STRAINER HEADS 2 of 2
J	1-17-12	Rev. Variations of Suffix -J	TBW	AM	
H	8-24-99	Revised	TBW	BS	
G	6-11-99	Revised Tables	CMD	BS	
F	1-22-99	T Strainer was S Strainer	TBW	BS	

NOTE: Dimensions shown in parentheses are in millimeters.