

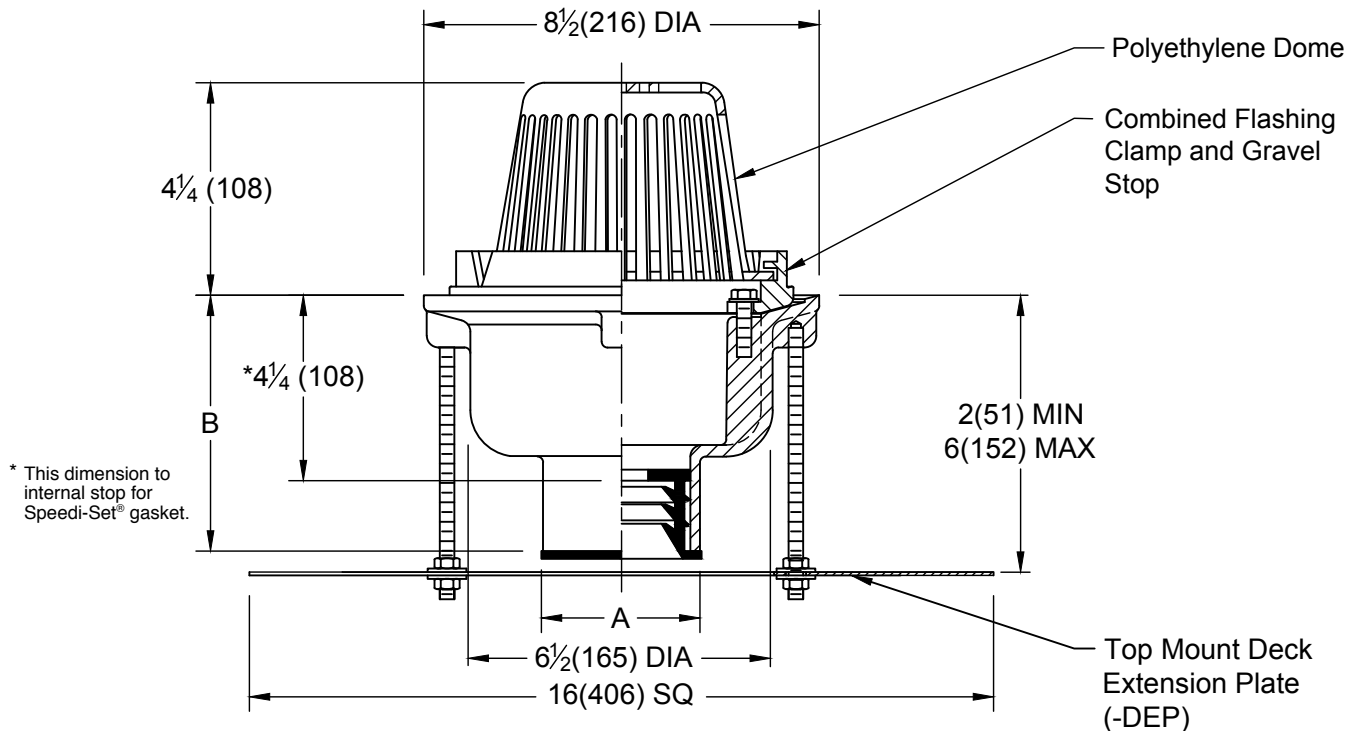
A
 DRAWING NUMBER s1330-DEP
 SIZE A
 SCALE: NONE
 DATE: 8-12-2020
 APPROVED BY: CL
 CHECKED BY: CL
 DRAWN BY: MW
 FIGURE NUMBER 1330-DEP

WE CAN ASSUME NO RESPONSIBILITY FOR USE OF SUPERSEDED OR VOID DATA
 DIMENSIONS ARE SUBJECT TO MANUFACTURERS TOLERANCE AND CHANGE WITHOUT NOTICE

GENERAL PURPOSE ROOF DRAIN

8 1/2" DIAMETER - LOW PROFILE DOME

Free Area
 41.5 SQ IN
 (268) SQ CM



* This dimension to internal stop for Speedi-Set® gasket.

A SIZE	02 (50)	03 (75)	04 (100)
B	5 1/2(140) for Caulk, NO-HUB and Speedi-Set®. 4 1/4(108) for Threaded		

Recommended Deck Opening
9(229) Dia.

- Fig. 1330C-DEP.CAULK OUTLET
- Fig. 1330T-DEP.THREADED OUTLET
- Fig. 1330Y-DEP.NO-HUB OUTLET

REGULARLY FURNISHED:
 Duco Coated Iron Body,
 Combined Flashing Clamp and Gravel Stop and Polyethylene Dome with Top Mount Deck Extension Plate.

- VARIATIONS:**
- L Speedi-Set® Service Weight Outlet Conn. (02(50), 03(75), and 04(100) Sizes Only)
 - LXH Speedi-Set® Extra Heavy Outlet Conn. (02(50), 03(75) and 04(100) Sizes Only)
 - Vandal Proof Dome -U
 - Solid Water Dam Collar -WD02

- OPTIONAL MATERIALS:**
- Cast Iron Dome -CID
 - Aluminum Dome -AD
 - Galvanized Cast Iron Body and Collar -G
 - Galvanized Cast Iron Dome -CIDG
 - Rough Bronze Dome -RBD

NOTE: Dimensions shown in parentheses are in millimeters

REV.	DATE	DESCRIPTION	BY	CKD. BY
A	3-8-23	Added ® to "Speedi-Set"	KK	CL

WEIGHT POUNDS	VOLUME CUBIC FEET

FIGURE NUMBER
1330-DEP