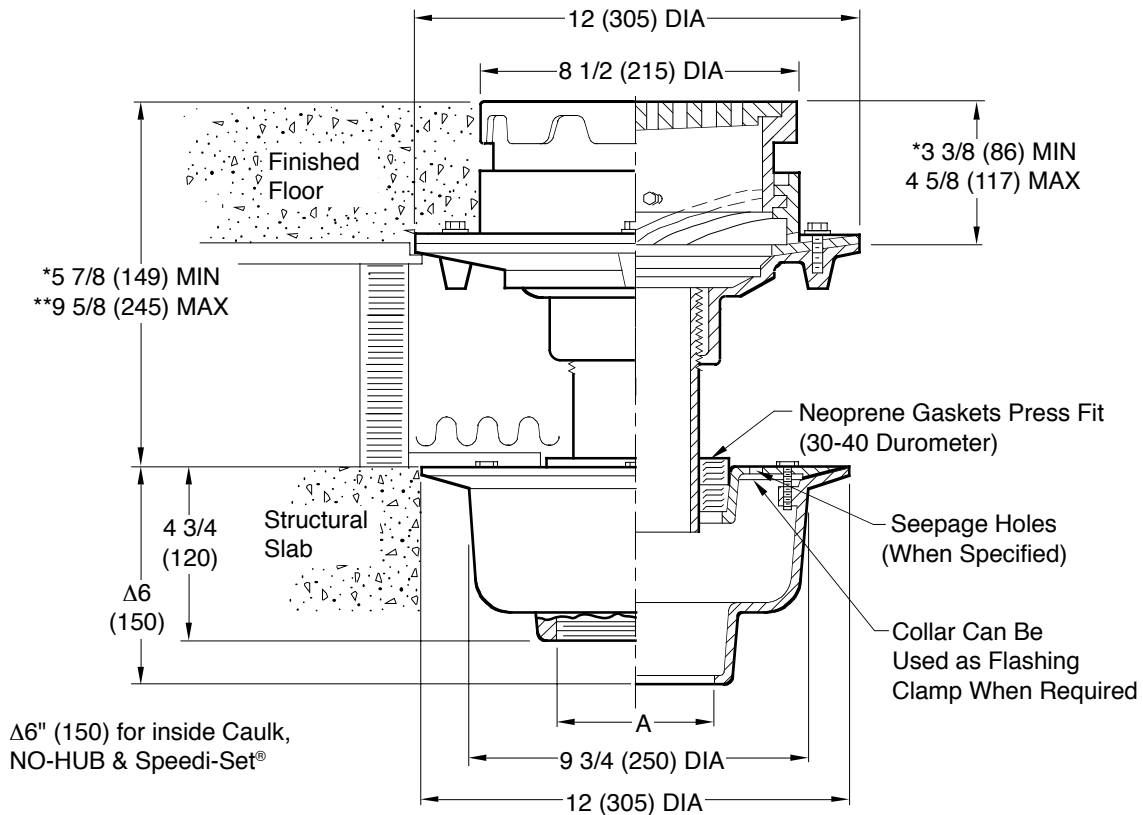


FLOOR DRAIN FOR FLOATING (ISOLATED) FLOOR SYSTEMS

FUNCTION: Used in areas which may have to be isolated from the other parts of the building; such as mechanical equipment rooms, studios, music rooms, laboratories and data processing areas.



NOTE: *Add 1/4"(6) for Nickel Bronze or Polished Bronze Top.
 ** If greater dimension than shown from lower flange to top is required specify a longer nipple.

A (Pipe Size) = 02(50), 03(75), 04(100)

- Fig. 9348C . . . CAULK OUTLET
- Fig. 9348T . . . THREADED OUTLET
- Fig. 9348Y . . . NO-HUB OUTLET

REGULARLY FURNISHED:

Duco Cast Iron Lower Body and Flashing Collar with Neoprene Isolation Gasket, Adjustable Nipple, Upper Body and Flashing Collar with Adjustable Top and Bar Grate.

VARIATIONS:

- Safe-Set Sediment Bucket -B (Fig. 9341)
- Seepage Holes (in collar) -WSH
- Sump Receiver Plate -R
- Underdeck Clamp -C
- L Speedi-Set® Service Weight
02(50), 03(75) & 04"(100) sizes only
- LXH Speedi-Set® Extra Heavy
02(50), 03(75) & 04"(100) sizes only
- Vandal Proof Grate -U
- Tractor Grate -TG

OPTIONAL MATERIALS:

- Ductile Iron Grate -M
- Galvanized Cast Iron -G
- Nickel Bronze Top -NB
- Polished Bronze Top -PB

NOTE: Dimensions shown in parentheses are in millimeters.

DRAWING NUMBER S9348
 SIZE A
 SCALE: NONE
 DATE: 7-3-86
 APPROVED BY: SB
 CHECKED BY: JD
 DRAWN BY: CM
 DIMENSIONS ARE SUBJECT TO MANUFACTURERS TOLERANCE AND CHANGE WITHOUT NOTICE
 WE CAN ASSUME NO RESPONSIBILITY FOR USE OF SUPERSEDED OR VOID DATA

FIGURE NUMBER 9348

REV.	DATE	DESCRIPTION	BY	CKD. BY	WEIGHT POUNDS	VOLUME CUBIC FEET	FIGURE NUMBER
B A	3-16-23 11-29-95	Rev. Var., Added Fig. Opt. Y, ® Submittal Update	KK EMB	CL BS			9348