

G



JAY R. SMITH MFG. CO.®
 MEMBER OF MORRIS GROUP INTERNATIONAL
 POST OFFICE BOX 3237
 MONTGOMERY, ALABAMA 36109-0237 (USA)
 TEL: 334-277-8520 FAX: 888-377-7818 www.jrsmith.com



MEMBER OF:



LOCATION

DRAWING NUMBER
S9646/9646-S

SIZE
A

SCALE:
NONE

DATE:
7-10-14

APPROVED BY:
JM

CHECKED BY:
CL

DRAWN BY:
TBW

9646 / 9646 -S

FIGURE NUMBER

WE CAN ASSUME NO RESPONSIBILITY FOR USE OF SUPERSEDED OR VOID DATA

DIMENSIONS ARE SUBJECT TO MANUFACTURERS TOLERANCE AND CHANGE WITHOUT NOTICE

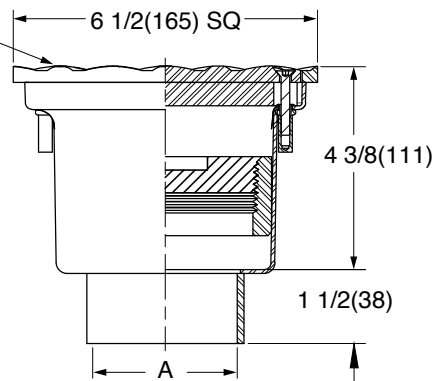
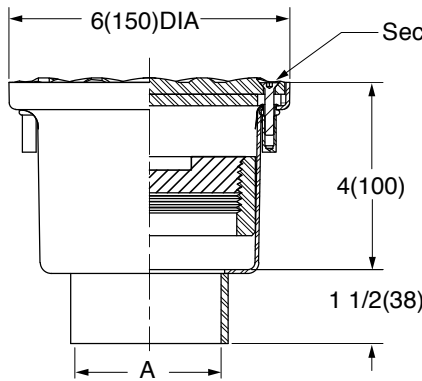
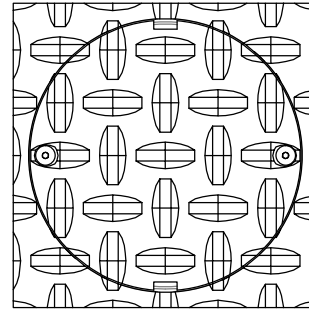
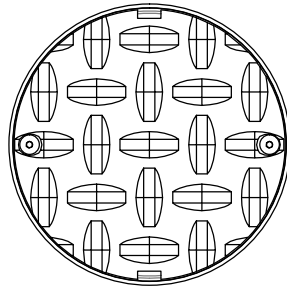
GENERAL PURPOSE FLOOR CLEANOUT 6"(150) ROUND & 6 1/2"(165) SQUARE



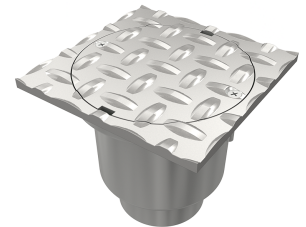
USDA ACCEPTED



ASME A112.36.2M &
 CSA B79
 Certified Heavy Duty
 Load Rating



A (Pipe Size) = 02(50), 03(75) or 04(100)



- | | |
|--|-------------------------------------|
| ROUND TOP | SQUARE TOP |
| Fig. <input type="checkbox"/> 9646BWBUTTWELDED OUTLET..... | <input type="checkbox"/> 9646BW -S▲ |
| Fig. <input type="checkbox"/> 9646TTHREADED OUTLET..... | <input type="checkbox"/> 9646T -S |
| Fig. <input type="checkbox"/> 9646YNO-HUB OUTLET..... | <input type="checkbox"/> 9646Y -S |

▲ Schedule 40 Regularly Furnished

REGULARLY FURNISHED:
 14 Gauge Type 304 Stainless
 Steel Body with Diamond Plate,
 Secured Cover and ABS Closure
 Plug. Body Rim and Cover Polished
 to a No. 4 Finish.

- VARIATIONS:**
- Anchor Flange -F
 - Flange & Flashing Clamp -FC
 - Type 304 Stainless Steel Closure Plug -XPSS
 - Vandal Proof Top -U
 - Smooth Top -ST
 - USDA Compliant

- OPTIONAL MATERIALS:**
- Type 316 Stainless Steel -316

SUBJECT TO MANUFACTURING TOLERANCE AND CHANGE WITHOUT NOTICE.

NOTE: Dimensions shown in parentheses are in millimeters.

REV.	DATE	DESCRIPTION	BY	CKD. BY	WEIGHT POUNDS	VOLUME CUBIC FEET	FIGURE NUMBER
							9646/9646 -S

GENERAL PURPOSE FLOOR CLEANOUT
8"(203) ROUND & 8 1/2"(216) SQUARE

DRAWING NUMBER **S9646/9646-S-B5**

SIZE **A**

SCALE: **NONE**

DATE: **1-15-18**

APPROVED BY: **CEL**

CHECKED BY: **CL**

DRAWN BY: **TBW**

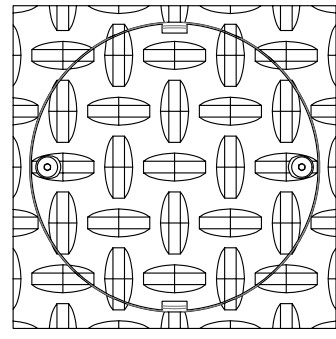
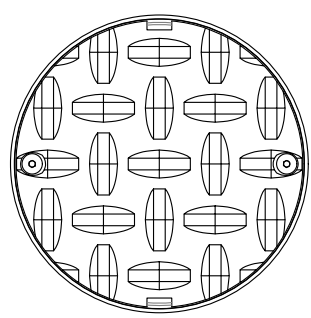
FIGURE NUMBER **9646/9646 -S-B5**

WE CAN ASSUME NO RESPONSIBILITY FOR USE OF SUPERSEDED OR VOID DATA

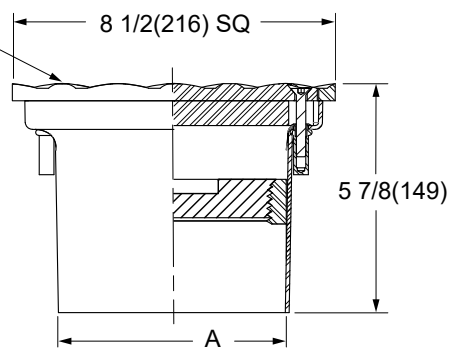
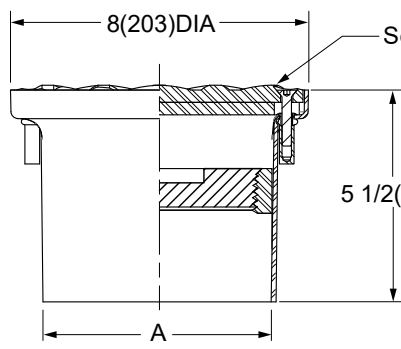
DIMENSIONS ARE SUBJECT TO MANUFACTURERS TOLERANCE AND CHANGE WITHOUT NOTICE



USDA ACCEPTED



ASME A112.36.2M & CSA B79 Certified Heavy Duty Load Rating



A (Pipe Size) = 06(150)

- | | |
|--|--------------------------------------|
| ROUND TOP | SQUARE TOP |
| Fig. <input type="checkbox"/> 9646BW BUTTWELDED OUTLET | <input type="checkbox"/> 9646BW -S ▲ |
| Fig. <input type="checkbox"/> 9646T THREADED OUTLET | <input type="checkbox"/> 9646T -S |
| Fig. <input type="checkbox"/> 9646Y NO-HUB OUTLET | <input type="checkbox"/> 9646Y -S |

▲ Schedule 40 Regularly Furnished

REGULARLY FURNISHED:
 14 Gauge Type 304 Stainless Steel Body with Diamond Plate, Secured Cover and HDPE Closure Plug. Body Rim and Cover Polished to a No. 4 Finish.

- VARIATIONS:**
- Anchor Flange -F
 - Flange & Flashing Clamp -FC
 - Type 304 Stainless Steel Closure Plug -XPSS
 - USDA Compliant

OPTIONAL MATERIALS:
 Type 316 Stainless Steel -316

SUBJECT TO MANUFACTURING TOLERANCE AND CHANGE WITHOUT NOTICE.

NOTE: Dimensions shown in parentheses are in millimeters.

REV.	DATE	DESCRIPTION	BY	CKD. BY	WEIGHT POUNDS	VOLUME CUBIC FEET	FIGURE NUMBER
E	8-29-23	Removed Function	HS	CL			9646/9646 -S-B5
D	12-13-21	Added ASME and CSA numbers	KK	CL			
C	11-14-21	Rev. Certified Duty Load Rating	KK	CL			
B	5-17-18	Revised Variations, Added Note	TBW	CL			