

# DUMPSTER PAD DRAIN GRATE & SEDIMENT BUCKET

DRAWING NUMBER  
**SSQ-2-2289**

SIZE  
**A**

SCALE:  
**NONE**

DATE:  
**3-25-99**

APPROVED BY:  
**CS**

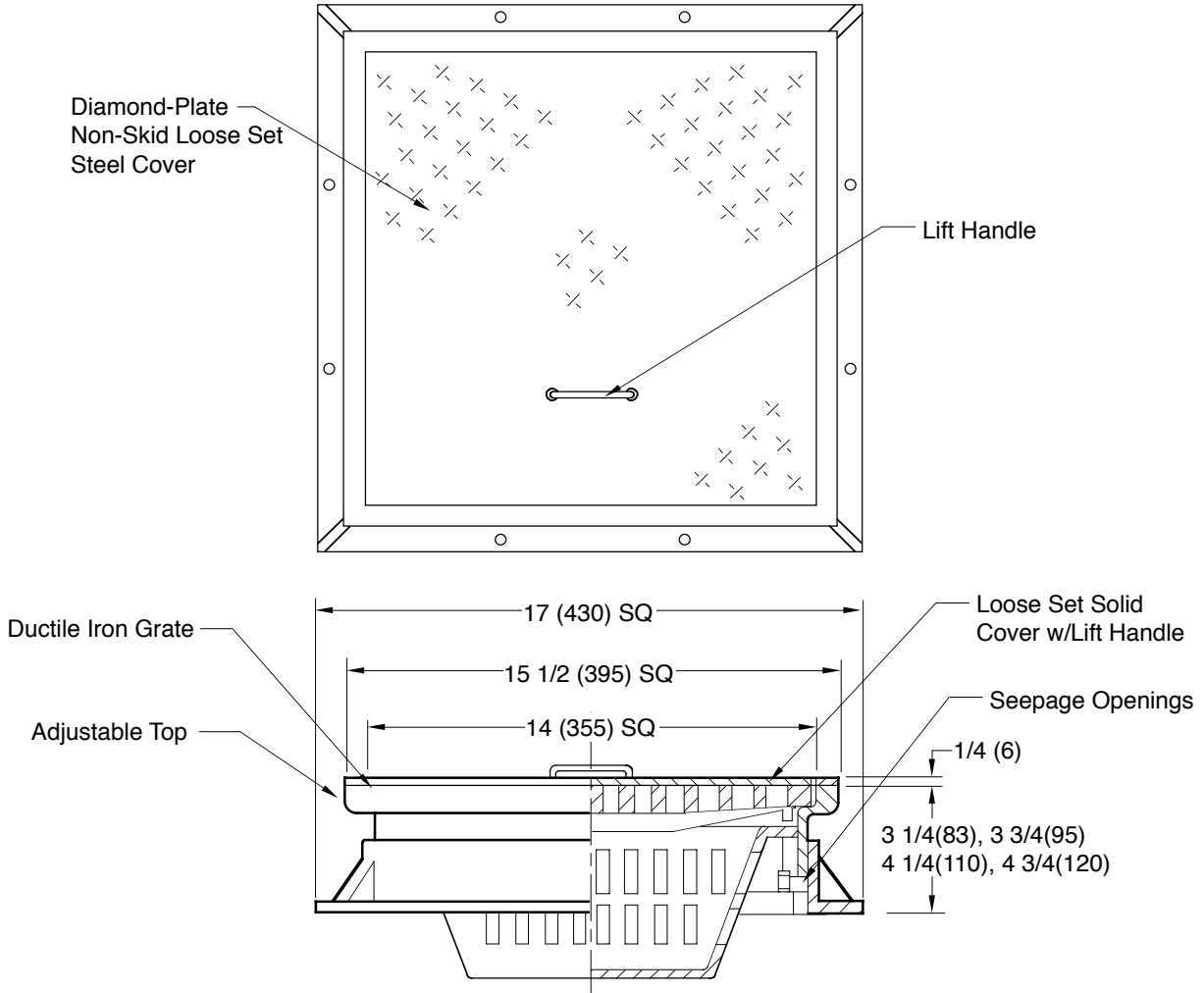
CHECKED BY:  
**JCS**

DRAWN BY:  
**CMD**

**SQ-2-2289**

WE CAN ASSUME NO RESPONSIBILITY FOR USE OF SUPERSEDED OR VOID DATA

DIMENSIONS ARE SUBJECT TO MANUFACTURERS TOLERANCE AND CHANGE WITHOUT NOTICE



**REGULARLY FURNISHED:**  
 Duco Coated Cast Iron Adjustable Frame, Loose Set Ductile Iron Grate and Suspended Cast Iron Sediment Bucket with Loose Set Solid Non-Skid Steel Cover with Lift Handle.

**NOTE:** Dimensions shown in parentheses are in millimeters.

FIGURE NUMBER	A	6-8-99	Revised Dwg.	BW	JCS	WEIGHT POUNDS	VOLUME CUBIC FEET	FIGURE NUMBER <b>SQ-2-2289</b>
	REV.	DATE	DESCRIPTION	BY	CKD. BY			